



Product Technical Data Sheet

Model PRD8COM

Description

The PRD8COM is an advanced professional in-ceiling loudspeaker that provides high fidelity performance for commercial applications. The PRD8COM combines a proprietary 3" Neodymium high frequency ribbon driver with a high-tech cone 8" low frequency driver.

The low frequency transducer features a high efficiency motor structure with high excursion capabilities and very low distortion. An advanced Kevlar™ cone results in excellent clarity even at extreme SPL output levels.

A rotary switch positioned on the front panel allows for multiple 70V power tap selection using a high quality transformer as well as for 8 ohms direct connection.

The PRD8COM uses high quality crossover components like polypropylene capacitors to insure minimum distortion and preservation of accurate signal structure and resolution.

The PRD8COM loudspeaker has two options of premium metal back boxes, a 0.5 cu.ft. and a 1 cu.ft. internal volume are available. They can be mounted in a hard deck ceiling or in a suspended tile ceiling. Each backbox is shipped with a pair of channel rails.

Key Features:

- 3" ribbon high frequency ribbon delivers unsurpassed sound quality
- Open and clear sound at high SPL due to advanced transducer technology
- High quality crossover components
- 60W high performance low loss transformer for 70V operation
- 8 ohm bypass for high fidelity applications

Applications

Developed for the highest quality ceiling speaker uses

- High Ceiling/High SPL
- Dance Studios
- Under Balcony Fill
- Foreground Music



PRD8COM.BBOX.5 Option



PRD8COM.BBOX Option

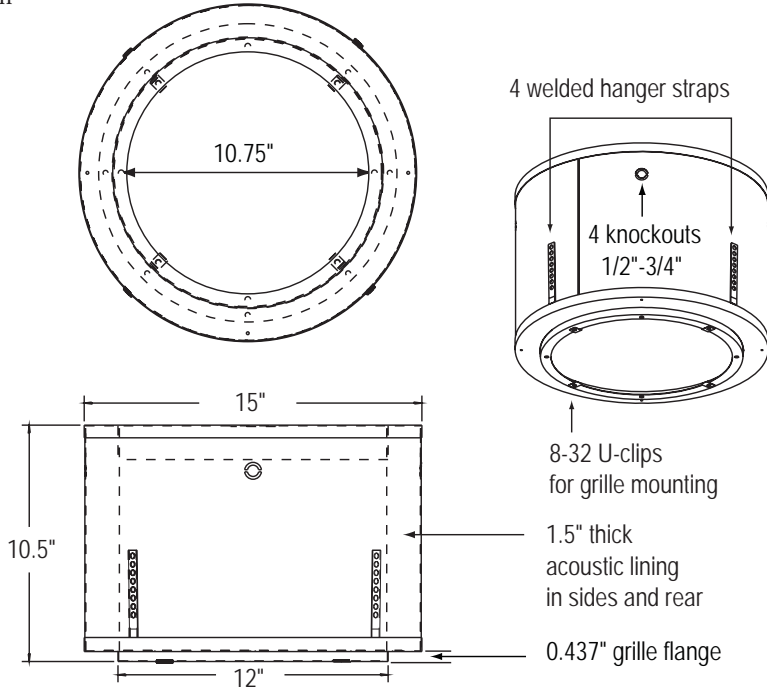
Product Specifications	
Operating Range(w/1cu ft backbox) ¹	45Hz - 20,000Hz
Sensitivity (1W/1M) ²	94dB
Across ribbon radiating slot - 6dB ³	120 Degrees
Along ribbon radiating slot - 6dB ³	90 Degrees
Power Handling ⁴	100W RMS (28 Volts) AES/2
Max SPL (calculated) 1 Meter	114dBCont. / 120dB Peak
Recommended Amp Power for Max Output	200 Watts @ 8 Ohms
Nominal Impedance (bypassed transformer)	8 Ohms
Transformer Taps	7.5, 15, 30, 60 Watts
Transformer Insertion Loss	0.6dB
Crossover Frequency	Internal Passive 2400Hz
Transducers - Low Freq.	8" Kevlar Woofer
High Freq.	3" Ribbon Coax Mounted
Input	Wire Tails
Dimensions	Baffle diameter of 10.75" Typical 12.25" diameter ceiling cutout ⁵ 4.5" minimum vertical clearance needed
Weight	10lbs (4.5kg)
Weight with BBOX.5 option	14lbs (6.4kg)
Weight with BBOX option	18lbs (8.2kg)
Optional Accessories	PRD8COM.BBOX (1cu ft backbox) PRD8COM.BBOX.5 (.5cu ft backbox) PRD8COM.TB (tilebridge)

1. LF at -10dB, HF -6dB at 25kHz on-axis however response above 20kHz is limited by air absorption and DSP sampling rates in typical PA applications.
2. Full bandwidth pink noise is applied and amplified to a level and measured at the loudspeaker terminals - corresponding to 1 Watt as referenced to the loudspeakers nominal impedance. SPL is measured in an anechoic environment in the loudspeakers far field. Data is extrapolated to 1 Meters distance from the loudspeaker.
3. Averaged from 1000Hz to 10kHz
4. AES established with ambient temperature at 22C in accordance with AES/2-1984 standard. IEC stated in RMS voltage according to IEC 268-5
5. Minimum height clearance with no backbox, measured from front baffle of PRD8COM.



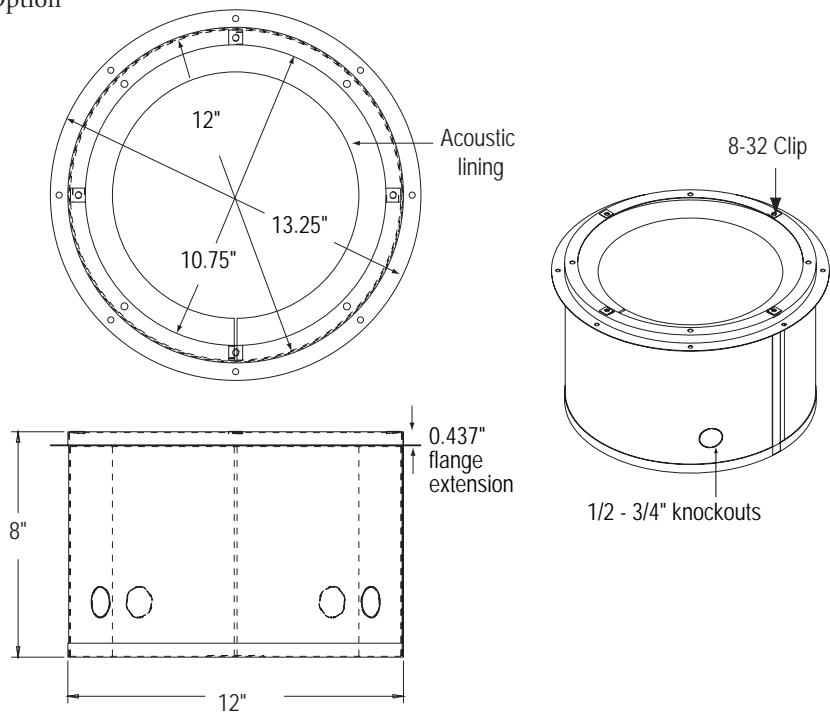
PRD8COM Backbox Drawings

PRD8COM.BBOX Option



Typical ceiling cutout will be 12.25" Dia.

PRD8COM.BBOX.5 Option



Typical ceiling cutout will be 12.25" Dia.